

S

P

M
C
H

... the auger head) is
... then withdrawn to
... edure is repeated
... This method is

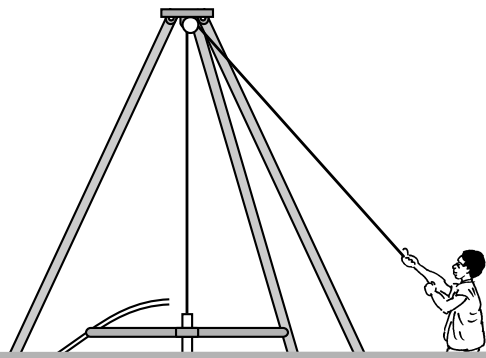
... and n
... arie
... abo
... o co

... oth
... ay
... with unstable rock formations.
... y holes to help remove cuttings.

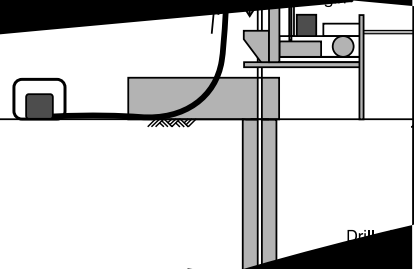
... ain.
... :
... are with other methods.
... ent can be heavy.
... oblems can occur with unstable rock formations.
Water is needed for dry holes.

V & W
Van Reekum Materials b.v., 115 Kanaal Noord, PO Box 98, AB Apeldoorn, The Netherlands.
Tel: +31 555 335466 Fax: +31 555 313335
V & W Engineering Ltd. (Vonder Rig), PO Box 131, Harare, Zimbabwe. Tel: +263 4 64365/63417 Fax: +263 4 64365

Water is pumped down the
of the drill-rods, emerging as a
It then returns up the borehole or
-pipe bringing with it cuttings and
bris. The washing and cutting of
e formation is helped by rotation
nd by the up-and-down motion
e drill-string. A foot-powered
le pump or a small internal-com
ion pump are equally suitable



Air,
flush
hole



Drill

e

Prepared by Bob Elson and Rod Shaw

WEDC Loughborough University Leicestershire LE11 3TU UK
www.lboro.ac.uk/departments/cv/wedc/ wedc@lboro.ac.uk

